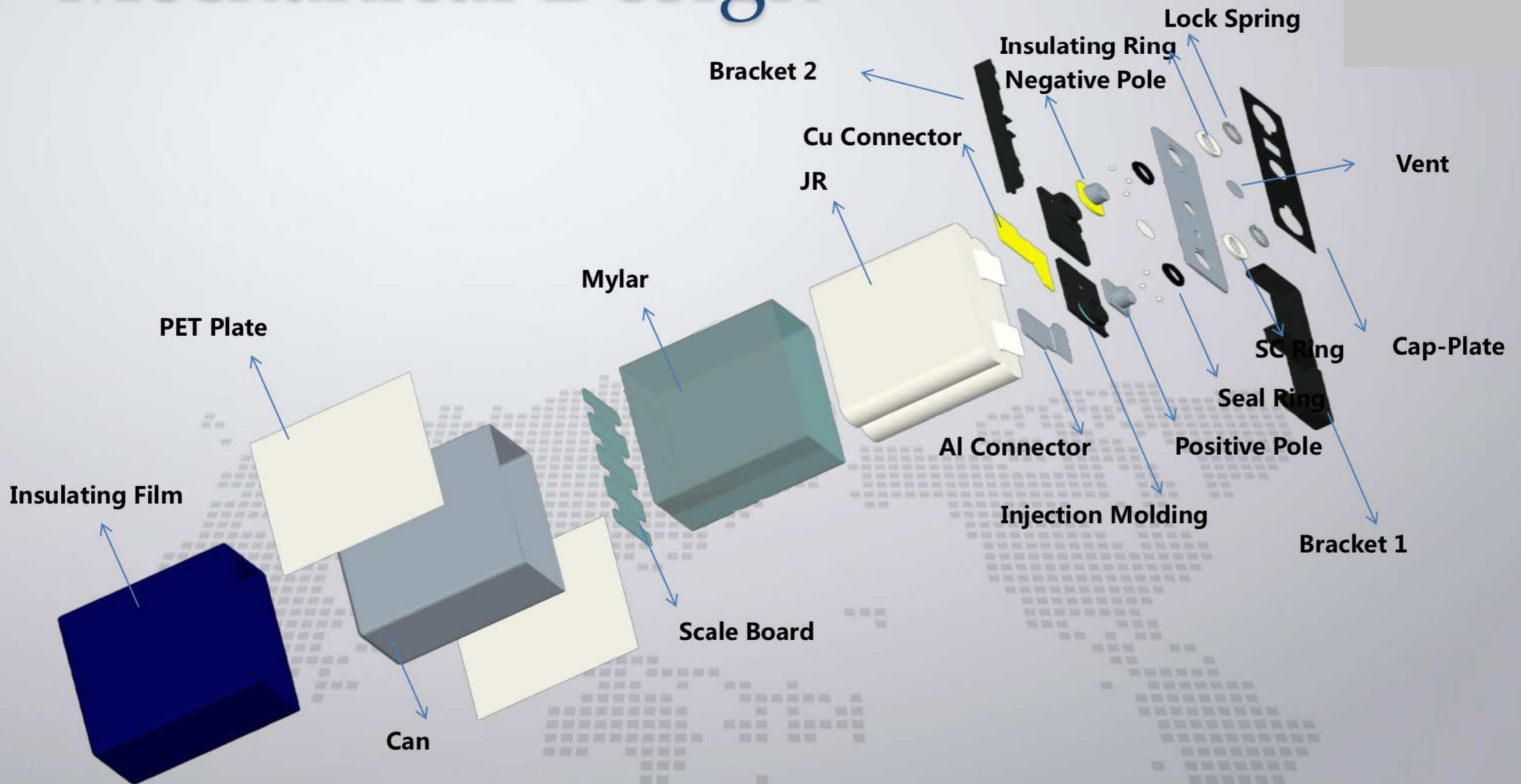


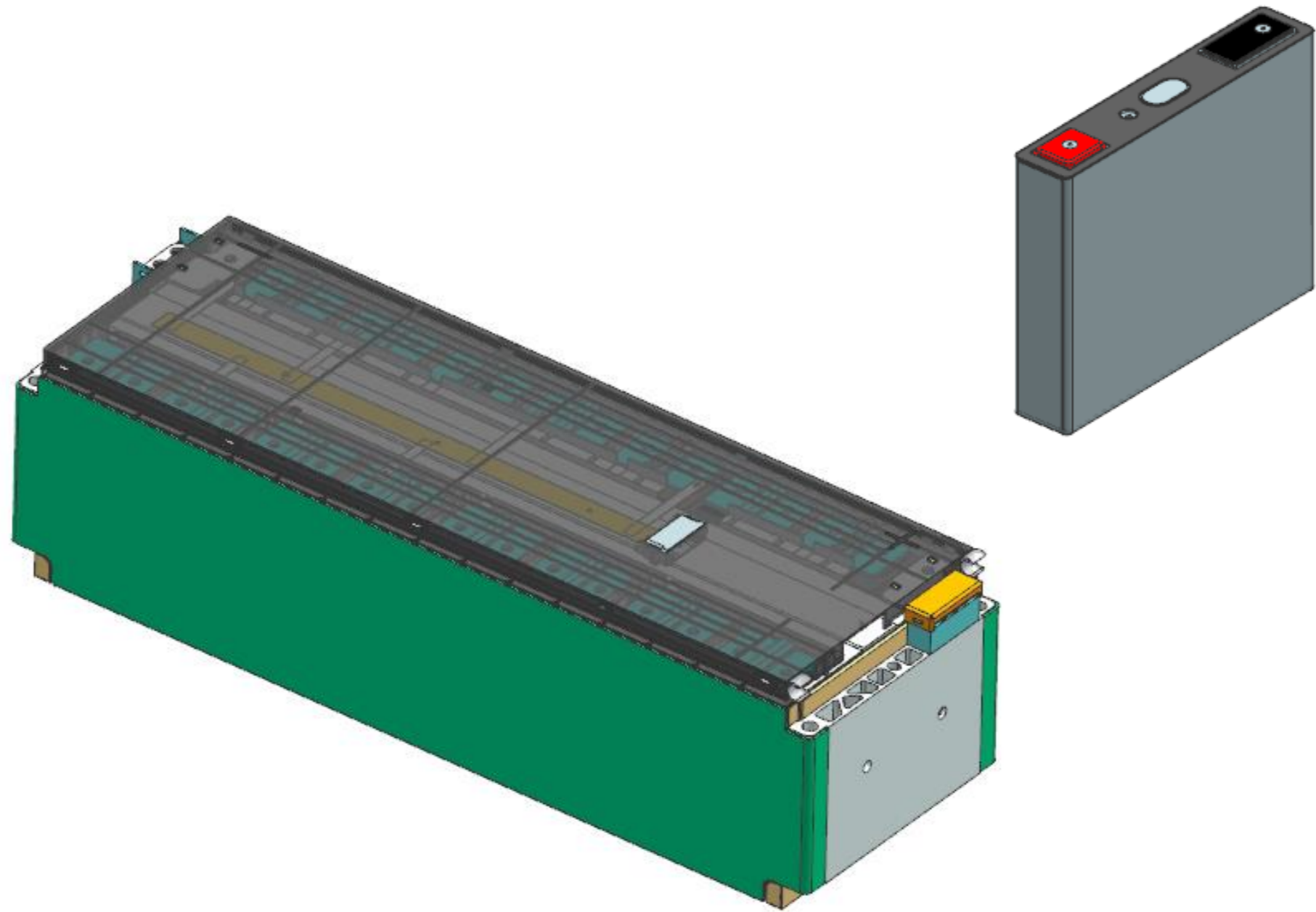
Safest Battery

With **LiFePO4** Cells

Mechanical Design

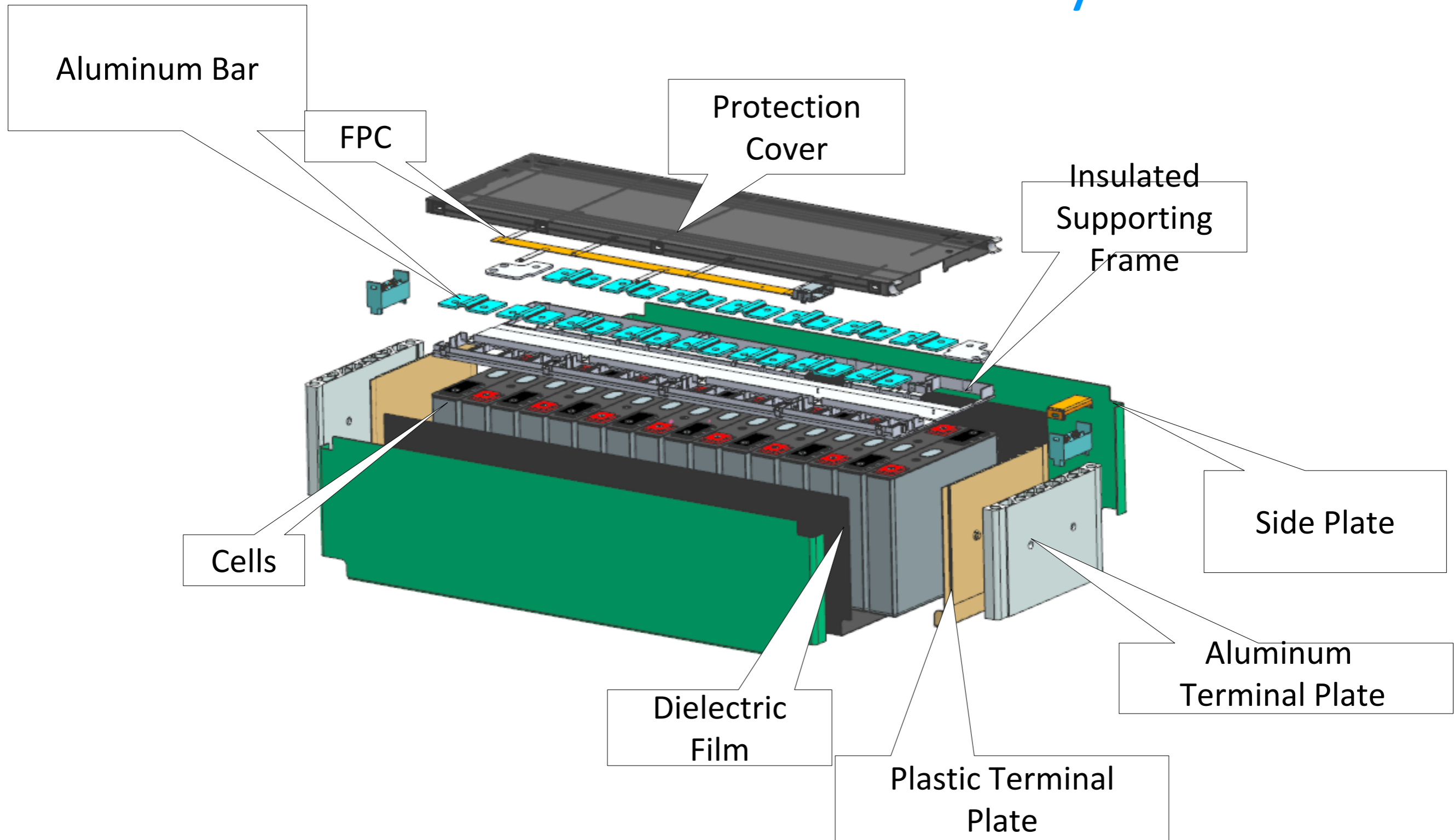


LiFePO4 Lithium Battery



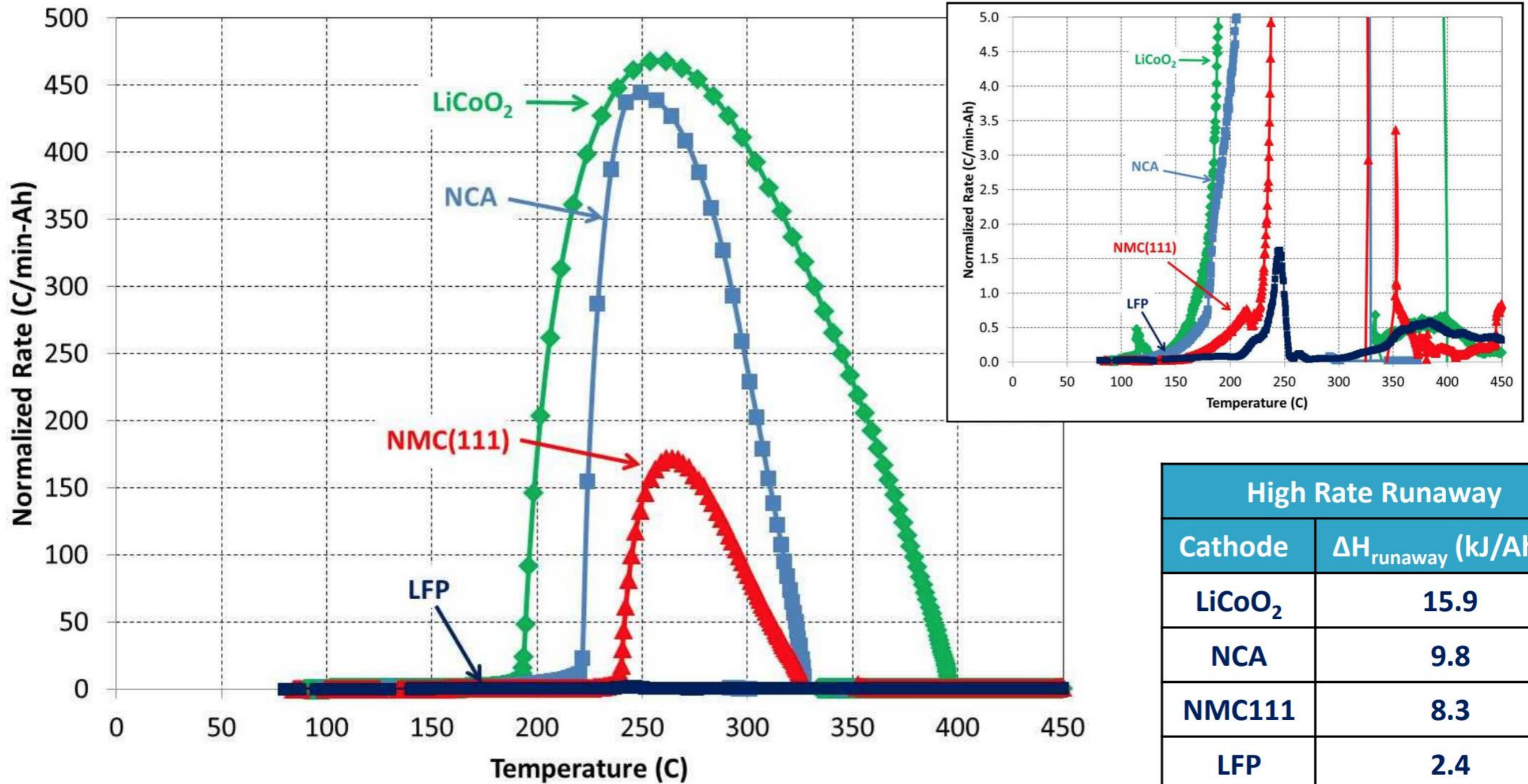
LiFePO4 Battery Module (1P16S - 2.662kwh)
Module size 483.6*152*132mm
Cell size 148*118.5*28.2mm

LiFePO4 Lithium Battery



Calorimetry of Lithium-ion Cells

Understanding the Thermal Runaway Response of Materials in Cells



*Can high energy cathodes behave like LFP during thermal runaway?
Where do high capacity Si/C anodes fit on this plot?*

12-YR LIFE EXPECTANCY

